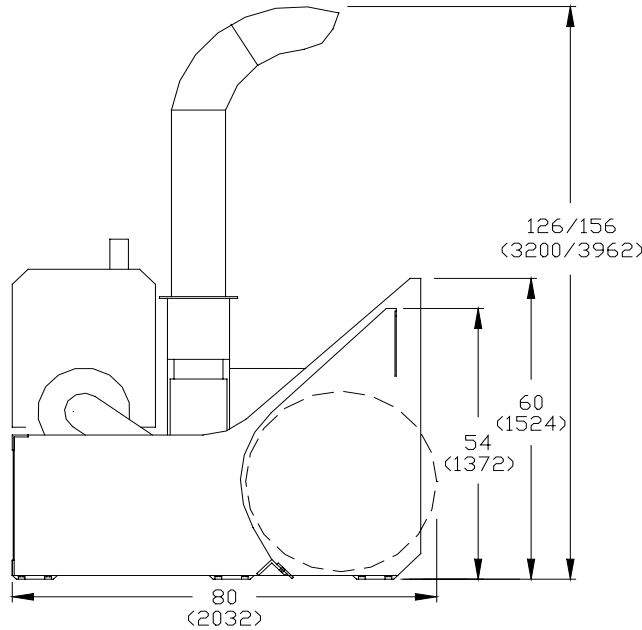


# SPECIFICATIONS



## SNOWBLOWER MODEL C-915D

<p><b><u>PERFORMANCE*</u></b> Up to 2750 tons/hour Casting distance up to 150 ft. (46m)</p> <p><b><u>WEIGHT AND DIMENSIONS</u></b> Overall height 126 in.-156 in. (3200-3962 mm) Overall width 102 in.-110 in. (2591-2794 mm) Working height 54 in. (1372 mm) Net weight (approx) 7500 lb. (3402 kg)</p> <p><b><u>ENGINE</u></b> Cummins Diesel QSB5.9 205 kw (275 hp) electronic Dry type air cleaner, muffler</p> <p><b><u>DRIVE LINE SYSTEM</u></b> Automatic clutch system, fully enclosed oil bath, gears and chain reduction, shear bolt protected and disc clutch torque limiter</p> <p><b><u>RIBBON AUGER</u></b> 36 in. (915 mm) diameter, ice cutter flights, 3/8 in. (9.53 mm) thick, 4 in. (102 mm) wide</p> <p><b><u>TRUCK LOADING CHUTE</u></b> 15 1/2 in. (394 mm) diameter Rotation 300 ° *Depending on snow conditions</p>	<p><b><u>IMPELLER</u></b> 40in. (1016 mm) diameter, five(5) easily replaceable concave blades</p> <p><b><u>IMPELLER CASING</u></b> High tensile steel, replaceable, hydraulic rotation</p> <p><b><u>SHOES/SCRAPER BLADE</u></b> Heat treated carbon steel, bolted and replaceable</p> <p><b><u>HYDRAULIC SYSTEM AND CONTROLS</u></b> Engine driven pump, electric solenoid valves, Radio remote controls</p> <p><b><u>INSTRUMENT PANEL ON ENGINE COWLING</u></b> Voltmeter, oil pressure, water temperature, and fuel level gauges</p> <p><b><u>OPTIONAL EQUIPMENT</u></b> Hydraulically extensible chute: 30 in. (762 mm) Overall width 110 in. (2794 mm) Rubber scraper blade</p> <p><b><u>CARRIER REQUIREMENT</u></b> A front end wheel loader 2 cubic yards (1.5 cubic meter) minimum capacity</p>
---	--

04-04

At CONTANT Inc., our policy is to meet the highest quality standards. In order to improve our products, changes in design or alterations might occur, it will in no way alter quality or efficiency of our equipment.

## CONTANT INC.

6310 Boul. Des Mille-îles  
Laval, Qc. H7B-1E5  
Tel : (450) 666-6368 or 1-800-CONTANT  
Fax : (450) 666-0626  
WWW.CONTANTLAVAL.COM

Distributed by :